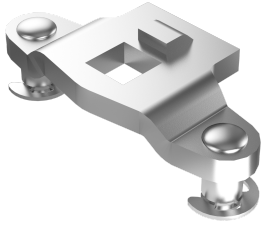


VISION TWO-POINT CAM STEEL



Two-point cam with projection for swing handles. Stroke: 20 mm. Supplied with E-clips.

MATERIAL

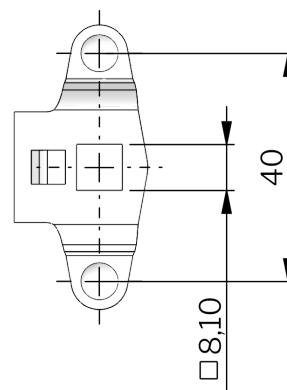
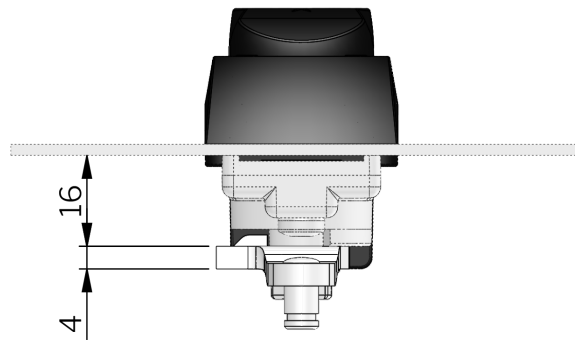
Cam: Steel, zinc plated

RELATED PRODUCTS

Similar products: 1-008.51

Other materials: 1-008.51

Use the Index Code at industrilas.com



P/N	Description	Material
2321S09-00MP	2-point cam	Steel